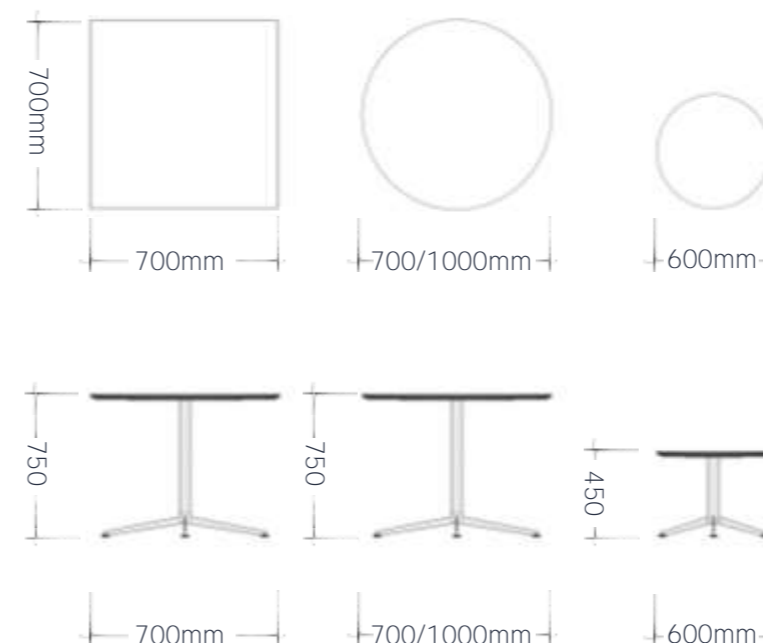


VENTI

Edition | 2024



Introducing the Venti table range, where versatility meets sophisticated design.

This stunning collection includes cafe tables, coffee tables, and meeting tables, catering to various needs and settings.

Each table features a pristine white top with a striking black chamfered edge, offering a sleek and modern aesthetic. The tables are supported by a sturdy stainless steel base, ensuring both durability and a contemporary finish.

Available in different dimensions, the Venti range is designed to complement any space, be it a cozy cafe corner, an elegant coffee lounge, or a dynamic meeting room. With their blend of functionality and style, the Venti range is perfect for enhancing the atmosphere of your environment.

Workplace Designs
Architecture | Project Consultancy | Furniture | CAD & Graphics

VENTI

Edition | 2024

