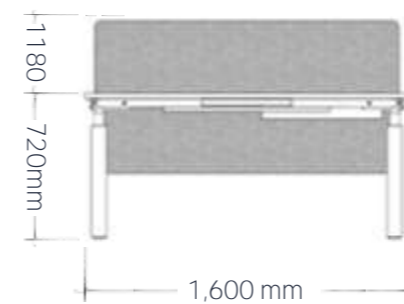
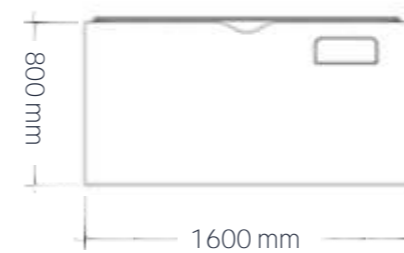


SHIFT-I

Edition | 2024



The Shift-I Height Adjustable desk is an ergonomic workstation that combines functionality with privacy and organisation. It features a robust 3-column leg design, offering enhanced stability and smooth, motorised height adjustment, allowing users to effortlessly switch between sitting and standing positions with a 3 part memory management comfort system.

The desk is equipped with side/end panels and a tall dividing screen, providing privacy both above and below the desktop, making it ideal for open-plan offices where focused work requires minimal distraction. A built-in cable tray helps manage and conceal cables, maintaining a tidy workspace.

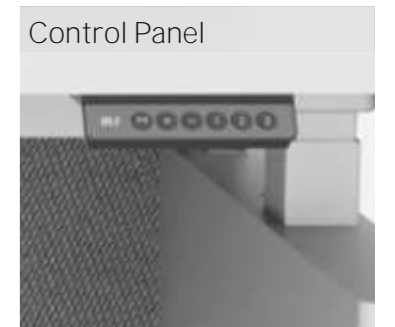
With its thoughtful features, this desk supports a healthy work posture while ensuring privacy and organisation, making it an excellent choice for productivity-focused environments.

Available in different sizes.

Workplace Designs
Architecture | Project Consultancy | Furniture | CAD & Graphics

SHIFT-I

Edition | 2024



Single monitor arm



Dual monitor arm



Access flap



Under desk cable tray



Workplace Designs
Architecture | Project Consultancy | Furniture | CAD & Graphics